



Workspace of a 3- PRRS type parallel manipulator

Zhumadil Baigunchekov and Rustem Kaiyrov

EasyChair preprints are intended for rapid dissemination of research results and are integrated with the rest of EasyChair.

December 29, 2019

Workspace of a 3- PRRS type parallel manipulator

Zhumadil Baigunchekov
Al-Farabi Kazakh National University, Satbayev University,
Almaty, Kazakhstan
Email: bzh47@mail.ru

Rustem A. Kaiyrov
Al-Farabi Kazakh National University,
Almaty, Kazakhstan
Email: kairov.rustem@mail.ru

Abstract-In this paper, methods of workspace analysis of a 3-PRRS type parallel manipulator are described. The equations of spheres and circles on these spheres, along which the center of the moving platform can move, are derived, and it is shown that the total reachable area of these spheres is the workspace of the considered parallel manipulator. Numerical examples of defining the workspace of the 3-PRRS type parallel manipulator are presented.

Keywords - parallel manipulator, moving and fixed platform, workspace.

I. INTRODUCTION

Most parallel manipulators with six degrees of freedom (DOF) have six legs [1-3]. Parallel manipulators with six DOF and three legs or tripods, in comparison with parallel manipulators with six legs or hexapods, have a larger workspace and less singular configurations. The following types of tripods are known: 3-URS [4], 3-ESR [5], 3-PRPS [6], 3-RES [7-9], 3-PPSR [10], 3-PRPS [11], 3-CRS [12], 3-CCC [13].

We have developed a novel parallel manipulator - tripod of a 3-PRRS type with six DOF (Fig. 1) which in comparison with the existing tripods has a large workspace. In [14, 15], the geometry of this parallel manipulator was studied and the inverse and direct kinematics were solved.

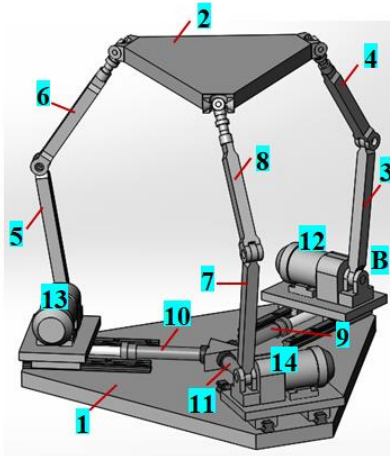


Fig.1. 3-PRRS type parallel manipulator

This paper is devoted to a workspace analysis of a 3-PRRS type parallel manipulator.

II. WORKSPACE ANALYSIS

To analysis the geometry, kinematics and workspace of a 3-PRRS type parallel manipulator, two coordinate systems UVW and XYZ are fixed to each element of kinematic pairs, the W and Z axes of which are directed along the axis of rotational and translational motions of the kinematic pairs, and the U and X axes are directed along the direction of the perpendicular drawn from the W axis to the Z axis. Figure 2 shows one of the legs 3-4 of the parallel manipulator with the chosen coordinate systems.

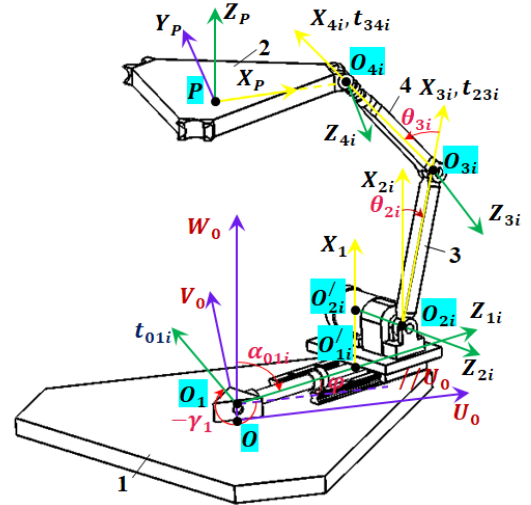


Fig.2. Leg 3-4 of the parallel manipulator

In [14], the transformation matrices between the chosen coordinate systems, having six parameters, were derived and the following expressions for determining the coordinates of the spherical joints of the moving platform 2 in the absolute coordinate system $OU_0V_0W_0$, were obtained

$$\left. \begin{aligned} -b_i c \gamma_i + s_i s \gamma_i - L_i s \gamma_i s \theta_{2i} - \\ -L_{2i} s \gamma_i s (\theta_{2i} + \theta_{3i}) = U_{O_{4i}} \\ -b_i s \gamma_i - s_i c \gamma_i + L_i c \gamma_i s \theta_{2i} + \\ +L_{2i} c \gamma_i s (\theta_{2i} + \theta_{3i}) = V_{O_{4i}} \\ c_i + a_i + L_i c \theta_{2i} + \\ +L_{2i} c (\theta_{2i} + \theta_{3i}) = W_{O_{4i}} \end{aligned} \right\}, i = 1, 2, 3, \quad (1)$$

where a_i, b_i, c_i, γ_i are parameters, characterizing the geometry of links, L_{1i} and L_{2i} are the lengths of the legs, c and s denote \cos and \sin .

Multiplying the first and the second equations of the system (1) on $c\gamma_i$ and $s\gamma_i$, and add them, we obtain the following three equations of planes along which three RRS type dyads $O_{2i}O_{3i}O_{4i}$ move

$$c\gamma_i \cdot U_{O_{4i}} + s\gamma_i \cdot V_{O_{4i}} + b_i = 0, (i=1,2,3). \quad (2)$$

Adding the squares of the first and the third equations of the system (1), we obtain

$$(W_{O_{4i}} - c_i - L_{1i} \cdot c\theta_{2i})^2 + (s_i - \frac{U_{O_{4i}} + b_i \cdot c\gamma_i}{s\gamma_i} - L_{1i} \cdot s\theta_{2i})^2 - L_{2i}^2 = 0. \quad (3)$$

Determining b_i from system (2), and substituting into the equations (3), we obtain

$$(X_{2i} - L_{1i} \cdot c\theta_{2i})^2 + (Y_{2i} - L_{1i} \cdot s\theta_{2i})^2 - L_{2i}^2 = 0, \quad (4)$$

where X_{2i}, Y_{2i} are the positions of the absolute coordinate system $OU_0V_0W_0$ in the local coordinate system $O_{2i}X_{2i}Y_{2i}Z_{2i}$ defined by the equations

$$\left. \begin{aligned} X_{2i} &= W_{O_{4i}} - c_i - a_i, \\ Y_{2i} &= s_i - U_{O_{4i}} \cdot s\gamma_i + V_{O_{4i}} \cdot c\gamma_i \end{aligned} \right\}. \quad (5)$$

Equations (4) are reduced to the form

$$X_{2i} \cdot c\theta_{2i} + Y_{2i} \cdot s\theta_{2i} - \frac{X_{2i}^2 + Y_{2i}^2 + L_{1i}^2 - L_{2i}^2}{2 \cdot L_{1i}} = 0, \quad (6)$$

that have solutions in the case when [16]

$$\left(\frac{X_{2i}^2 + Y_{2i}^2 + L_{1i}^2 - L_{2i}^2}{2 \cdot L_{1i}} \right)^2 - (X_{2i}^2 + Y_{2i}^2) \leq 0. \quad (7)$$

Equating the equations (7) to zero, we obtain two equations of circles

$$\left. \begin{aligned} X_{2i}^2 + Y_{2i}^2 &= (L_{2i} + L_{1i})^2 \\ X_{2i}^2 + Y_{2i}^2 &= (L_{2i} - L_{1i})^2 \end{aligned} \right\}, \quad (8)$$

that are the outer and inner boundaries of the workspace of the dyads $O_{2i}O_{3i}O_{4i}$.

Let write the equations (8) in the absolute coordinate system $OU_0V_0W_0$

$$\left. \begin{aligned} (U_0 - O_{X_{2i}})^2 + (V_0 - O_{Y_{2i}})^2 + (W_0 - O_{Z_{2i}})^2 &= \\ &= (L_{2i} - L_{1i})^2 \\ (U_0 - O_{X_{2i}})^2 + (V_0 - O_{Y_{2i}})^2 + (W_0 - O_{Z_{2i}})^2 &= \\ &= (L_{2i} + L_{1i})^2 \end{aligned} \right\}, \quad (9)$$

where $O_{X_{2i}}, O_{Y_{2i}}, O_{Z_{2i}}$ are the coordinates of the centers of the local coordinate system $O_{2i}X_{2i}Y_{2i}Z_{2i}$ relative to the absolute coordinate system $O_0U_0V_0W_0$. Fig. 3 shows the graphs of the circles (9) with the following parameters [15]: $a_i=15, b_i=8, c_i=5, L_{1i}=60, L_{2i}=70$ of the legs and $h=43, \gamma_1=90^0 + \varphi, \gamma_2=210^0 + \varphi, \gamma_3=\varphi - 30^0, d=h\sqrt{3}, \varphi=10^{\circ}72'$ of the moving and fixed platforms.

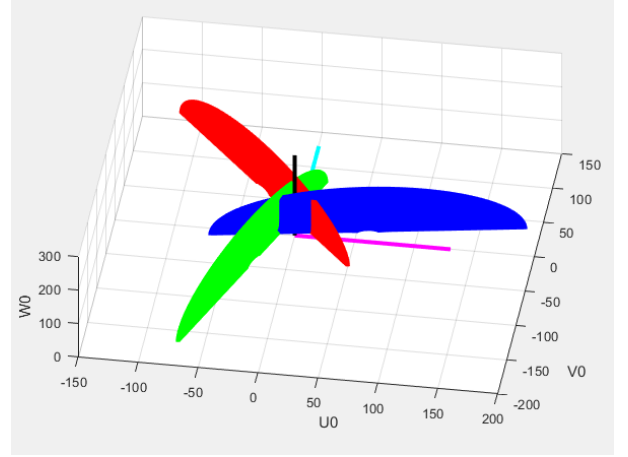


Fig.3. Graphs of the dyads $O_{2i}O_{3i}O_{4i}$ circles

Determine the coordinates of the center (point P) of the moving platform 2 by the following equations

$$\left. \begin{aligned} X_P &= U_{O_{4i}} - U_{O_{4Pi}} \cdot s\gamma_i \cdot s(\theta_{2i} + \theta_{3i}) - \\ &- V_{O_{4Pi}} \cdot s\gamma_i \cdot c(\theta_{2i} + \theta_{3i}) - W_{O_{4Pi}} \cdot c\gamma_i \\ Y_P &= V_{O_{4i}} + U_{O_{4Pi}} \cdot c\gamma_i \cdot s(\theta_{2i} + \theta_{3i}) + \\ &+ V_{O_{4Pi}} \cdot c\gamma_i \cdot c(\theta_{2i} + \theta_{3i}) - W_{O_{4Pi}} \cdot s\gamma_i \\ Z_P &= W_{O_{4i}} + U_{O_{4Pi}} \cdot c(\theta_{2i} + \theta_{3i}) - \\ &- V_{O_{4Pi}} \cdot s(\theta_{2i} + \theta_{3i}) \end{aligned} \right\}, \quad (10)$$

where $U_{O_{4Pi}}, V_{O_{4Pi}}, W_{O_{4Pi}}$ are the coordinates of the center P of the moving platform in the local coordinate systems $O_{4i}X_{4i}Y_{4i}Z_{4i}$.

Multiplying the first equations of the system (10) on $s\gamma_i$, and the second equations on $-c\gamma_i$, and adding the first and second equations, we obtain

$$\left. \begin{aligned} (X_P - U_{O_{4i}}) \cdot s\gamma_i - (Y_P - V_{O_{4i}}) \cdot c\gamma_i &= \\ &= -U_{O_{4Pi}} \cdot s\gamma_i \cdot s(\theta_{2i} + \theta_{3i}) - \\ &- V_{O_{4Pi}} \cdot s\gamma_i \cdot c(\theta_{2i} + \theta_{3i}) \\ Z_P - W_{O_{4i}} &= U_{O_{4Pi}} \cdot c(\theta_{2i} + \theta_{3i}) - \\ &- V_{O_{4Pi}} \cdot s(\theta_{2i} + \theta_{3i}) \end{aligned} \right\}. \quad (11)$$

Multiplying the first equations of the system (11) on $s(\theta_{2i} + \theta_{3i})$, and the second equations on $-c(\theta_{2i} + \theta_{3i})$, and add for them, we obtain

$$U_{O_{4Pi}} = \left[(Y_P - V_{O_{4i}}) \cdot c\gamma_i - (X_P - U_{O_{4i}}) \cdot s\gamma_i \right] \cdot s(\theta_{2i} + \theta_{3i}) + (Z_P - W_{O_{4i}}) \cdot c(\theta_{2i} + \theta_{3i}). \quad (12)$$

To determine $V_{O_{4Pi}}$, we also add the two equations of the system (11), previously multiplying the first equations on $c(\theta_{2i} + \theta_{3i})$, and the second equations on $s(\theta_{2i} + \theta_{3i})$, and obtain

$$V_{O_{4Pi}} = \left[(Y_P - V_{O_{4i}}) \cdot c\gamma_i - (X_P - U_{O_{4i}}) \cdot s\gamma_i \right] \cdot c(\theta_{2i} + \theta_{3i}) - (Z_P - W_{O_{4i}}) \cdot s(\theta_{2i} + \theta_{3i}). \quad (13)$$

To determine $W_{O_{4Pi}}$, we add the first and the second equations of the system (10), previously multiplying the first equation on $c\gamma_i$, and the second equation on $s\gamma_i$, and obtain

$$W_{O_{4Pi}} = -(X_P - U_{O_{4i}}) \cdot c\gamma_i - (Y_P - V_{O_{4i}}) \cdot s\gamma_i. \quad (14)$$

Since the distances from the center P of the moving platform to the centers of the spherical joints are equal to h in the local coordinate systems $O_{4i}X_{O_{4i}}Y_{O_{4i}}Z_{O_{4i}}$ (Fig. 4), the following equality is rightly

$$U_{O_{4Pi}}^2 + V_{O_{4Pi}}^2 + W_{O_{4Pi}}^2 = h^2. \quad (15)$$

Substituting the equations (12), (13), (14) into the equation (15), we obtain three equations of the sphere in the absolute coordinate system $OU_0V_0W_0$ along which the point P moves

$$\begin{aligned} (U_{O_{4Pi}} - X_P)^2 + (V_{O_{4Pi}} - Y_P)^2 + \\ + (W_{O_{4Pi}} - Z_P)^2 = h^2. \end{aligned} \quad (16)$$

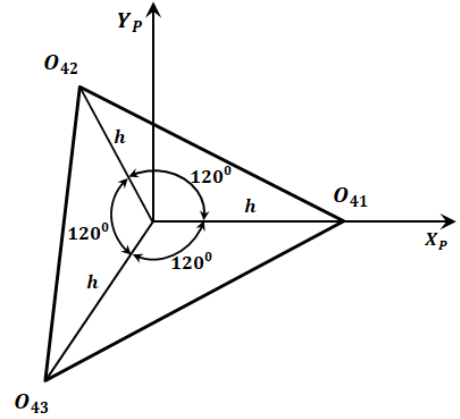


Fig.4. Moving platform

Thus, the legs of the parallel manipulator move in circles (9) relative to the absolute coordinate system $OU_0V_0W_0$, and the center of the moving platform moves in three spheres relative to points O_{4i} according to the equations (16). The total reachable area of three spheres is the workspace of the parallel manipulator.

Let consider the algorithm for determining the workspace of the considered parallel manipulator by solving the inverse kinematics problem. In [14], the transformation matrix \mathbf{T}_{OP} between the local coordinate system $PX_PY_PZ_P$ of the moving platform and the absolute coordinate system $OU_0V_0W_0$ was derived

$$\mathbf{T}_{OP} = \begin{bmatrix} 1 & 0 \\ a_{OP} \cdot c\gamma_{OP} + & c\gamma_{OP} \cdot c\beta_{OP} - \\ +b_{OP} \cdot s\gamma_{OP} \cdot s\alpha_{OP} & -s\gamma_{OP} \cdot c\alpha_{OP} \cdot s\beta_{OP} \\ a_{OP} \cdot s\gamma_{OP} - & s\gamma_{OP} \cdot c\beta_{OP} + \\ -b_{OP} \cdot c\gamma_{OP} \cdot s\alpha_{OP} & +c\gamma_{OP} \cdot c\alpha_{OP} \cdot s\beta_{OP} \\ c_{OP} + b_{OP} \cdot c\alpha_{OP} & s\alpha_{OP} \cdot s\beta_{OP} \\ 0 & 0 \\ -c\gamma_{OP} \cdot s\beta_{OP} - & s\gamma_{OP} \cdot s\alpha_{OP} \\ -s\gamma_{OP} \cdot c\alpha_{OP} \cdot c\beta_{OP} & -c\gamma_{OP} \cdot s\alpha_{OP} \\ c\gamma_{OP} \cdot c\alpha_{OP} \cdot c\beta_{OP} - & -c\gamma_{OP} \cdot s\alpha_{OP} \\ -s\gamma_{OP} \cdot s\beta_{OP} & \\ s\alpha_{OP} \cdot c\beta_{OP} & c\alpha_{OP} \end{bmatrix} \quad (17)$$

or

$$\mathbf{T}_{OP} = \begin{bmatrix} 1 & 0 & 0 & 0 \\ X_P & t_{11} & t_{12} & t_{13} \\ Y_P & t_{21} & t_{22} & t_{23} \\ Z_P & t_{31} & t_{32} & t_{33} \end{bmatrix}. \quad (18)$$

In the inverse kinematics problem, the matrix (17) or (18) is given. Let define the coordinates of the centers of the spherical

joints in the absolute coordinate system $OU_0V_0W_0$ through the matrix \mathbf{T}_{OP}

$$\begin{aligned} \begin{bmatrix} 1 \\ \overline{U_{O_{41}}} \\ \overline{V_{O_{41}}} \\ \overline{W_{O_{41}}} \end{bmatrix} &= \mathbf{T}_{OP} \cdot \begin{bmatrix} 1 \\ h \\ 0 \\ 0 \end{bmatrix}, \begin{bmatrix} 1 \\ \overline{U_{O_{42}}} \\ \overline{V_{O_{42}}} \\ \overline{W_{O_{42}}} \end{bmatrix} = \mathbf{T}_{OP} \cdot \begin{bmatrix} 1 \\ -h/2 \\ h \cdot \sqrt{3}/2 \\ 0 \end{bmatrix}, \\ \begin{bmatrix} 1 \\ \overline{U_{O_{43}}} \\ \overline{V_{O_{43}}} \\ \overline{W_{O_{43}}} \end{bmatrix} &= \mathbf{T}_{OP} \cdot \begin{bmatrix} 1 \\ -h/2 \\ -h \cdot \sqrt{3}/2 \\ 0 \end{bmatrix}. \end{aligned} \quad (19)$$

Substituting the coordinates of the centers of the spherical joints from the equation (19) into the equations (2), we obtain a system of equations connecting the components $t_{11}, t_{12}, t_{21}, t_{22}$ of the direction cosines of the moving coordinate system $PX_P Y_P Z_P$

$$\left. \begin{aligned} t_{11} \cdot h \cdot \frac{c\gamma_1}{s\gamma_1} + t_{21} \cdot h + \frac{c\gamma_1}{s\gamma_1} \cdot X_P + Y_P + \frac{b_i}{s\gamma_1} &= 0 \\ -\frac{h}{2} \cdot \frac{c\gamma_2}{s\gamma_2} \cdot t_{11} + \frac{h \cdot \sqrt{3}}{2} \cdot \frac{c\gamma_2}{s\gamma_2} \cdot t_{12} - \frac{h}{2} \cdot t_{21} + \\ + \frac{h \cdot \sqrt{3}}{2} \cdot t_{22} + \frac{c\gamma_2}{s\gamma_2} \cdot X_P + Y_P + \frac{b_i}{s\gamma_2} &= 0 \\ \frac{h}{2} \cdot \frac{c\gamma_3}{s\gamma_3} \cdot t_{11} - \frac{h \cdot \sqrt{3}}{2} \cdot \frac{c\gamma_3}{s\gamma_3} \cdot t_{12} - \frac{h}{2} \cdot t_{21} - \\ - \frac{h \cdot \sqrt{3}}{2} \cdot t_{22} + \frac{c\gamma_3}{s\gamma_3} \cdot X_P + Y_P + \frac{b_i}{s\gamma_3} &= 0 \end{aligned} \right\}. \quad (20)$$

From the sum of the three equations of system (20) we obtain

$$t_{12} = \frac{-m_1 \cdot t_{11} - m_3 \cdot X_P - 3 \cdot Y_P - m_4}{m_2}, \quad (21)$$

where

$$\begin{aligned} m_1 &= h \cdot \left(\frac{c\gamma_1}{s\gamma_1} - \frac{c\gamma_2}{2 \cdot s\gamma_2} + \frac{c\gamma_3}{2 \cdot s\gamma_3} \right), \quad m_2 = \frac{h \cdot \sqrt{3}}{2} \left(\frac{c\gamma_2}{s\gamma_2} - \frac{c\gamma_3}{s\gamma_3} \right), \\ m_3 &= \frac{c\gamma_1}{s\gamma_1} + \frac{c\gamma_2}{s\gamma_2} + \frac{c\gamma_3}{s\gamma_3}. \end{aligned}$$

From the second equation of system (20), we subtract the third equation and obtain

$$t_{22} = \frac{-n_1 \cdot X_P - n_2 \cdot Y_P - n_3 \cdot t_{11} - n_5}{n_4}, \quad (22)$$

where

$$\begin{aligned} n_1 &= (c\gamma_1 \cdot c\gamma_2 \cdot s\gamma_3 + c\gamma_1 \cdot c\gamma_3 \cdot s\gamma_2 + 4 \cdot c\gamma_2 \cdot c\gamma_3 \cdot s\gamma_1) \cdot n_6, \\ n_2 &= 3 \cdot (c\gamma_2 \cdot s\gamma_1 \cdot s\gamma_3 + c\gamma_3 \cdot s\gamma_1 \cdot s\gamma_2) \cdot n_6, \\ n_3 &= h \cdot (c\gamma_1 \cdot c\gamma_2 \cdot s\gamma_3 + c\gamma_1 \cdot c\gamma_3 \cdot s\gamma_2 - 2 \cdot c\gamma_2 \cdot c\gamma_3 \cdot s\gamma_1) \cdot n_6, \\ n_4 &= h \cdot \sqrt{3} \cdot (c\gamma_3 \cdot s\gamma_1 \cdot s\gamma_2 - c\gamma_2 \cdot s\gamma_1 \cdot s\gamma_3) \cdot n_6, \\ n_5 &= b_{12} \cdot (2 \cdot c\gamma_2 \cdot s\gamma_1 + 2 \cdot c\gamma_3 \cdot s\gamma_1 + c\gamma_2 \cdot s\gamma_3 + c\gamma_3 \cdot s\gamma_2) \cdot n_6, \\ n_6 &= 1 / (s\gamma_1 \cdot c\gamma_3 \cdot s\gamma_2 - s\gamma_1 \cdot c\gamma_2 \cdot s\gamma_3). \end{aligned}$$

From the first equation of system (20) we determine t_{12}

$$t_{21} = \frac{1}{h} \cdot \left(-t_{11} \cdot h \cdot \frac{c\gamma_1}{s\gamma_1} - \frac{c\gamma_1}{s\gamma_1} \cdot X_P - Y_P - \frac{b_i}{s\gamma_1} \right). \quad (23)$$

Thus, we set t_{11} , and from the equations (21), (22), (23) determine t_{12}, t_{21}, t_{22} . The remaining components of the 3x3 rotation matrix are determined from the following condition

$$\left. \begin{aligned} t_{11}^2 + t_{21}^2 + t_{31}^2 &= 1 \\ t_{12}^2 + t_{22}^2 + t_{32}^2 &= 1 \end{aligned} \right\}. \quad (24)$$

From the equation (24) and the orthogonal conditions we obtain

$$\left. \begin{aligned} t_{31} &= \pm \sqrt{1 - t_{11}^2 - t_{21}^2} \\ t_{32} &= \pm \sqrt{1 - t_{12}^2 - t_{22}^2} \\ t_{13} &= t_{21} \cdot t_{32} - t_{22} \cdot t_{31} \\ t_{23} &= -t_{11} \cdot t_{32} + t_{12} \cdot t_{31} \\ t_{33} &= t_{11} \cdot t_{22} - t_{12} \cdot t_{21} \end{aligned} \right\}. \quad (25)$$

Therefore, all components of the guiding cosines of the moving coordinate system $PX_P Y_P Z_P$ are expressed in terms of t_{11} . Next, we set the values of the coordinates X_P, Y_P, Z_P of the point P , and change the values of t_{11} from -1 to 1 with a certain step, and find the points with the coordinates $U_{O_{4i}}, V_{O_{4i}}, W_{O_{4i}}$ for which the following conditions are satisfied

$$\left. \begin{aligned} (U_{O_{41}} - U_{O_{42}})^2 + (V_{O_{41}} - V_{O_{42}})^2 + \\ + (W_{O_{41}} - W_{O_{42}})^2 &= d^2 \\ (U_{O_{41}} - U_{O_{43}})^2 + (V_{O_{41}} - V_{O_{43}})^2 + \\ + (W_{O_{41}} - W_{O_{43}})^2 &= d^2 \\ (U_{O_{42}} - U_{O_{43}})^2 + (V_{O_{42}} - V_{O_{43}})^2 + \\ + (W_{O_{42}} - W_{O_{43}})^2 &= d^2 \end{aligned} \right\}, \quad (26)$$

where d is the distance between the centers of the spherical joints.

If the conditions (26) are satisfied, then we solve the inverse kinematics problem, and in the case when $\theta_{2i} < 0$ и $\theta_{3i} > 0$, the computer program puts an point in a space. Fig. 5 shows the workspace of the considered parallel manipulator.

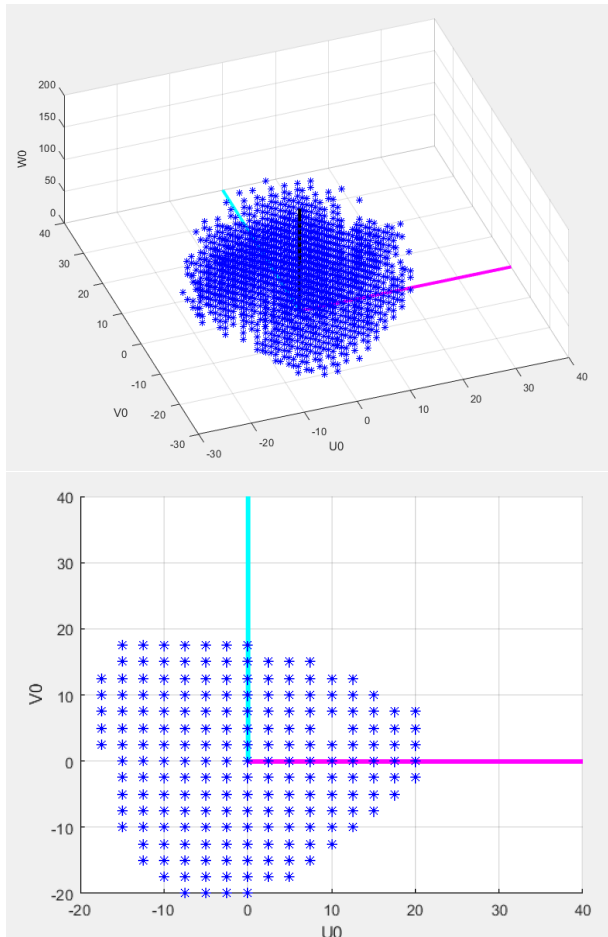


Fig.5. Workspace by invers kinematics

The workspace of this parallel manipulator can also be drawn according to the direct kinematics problem. To do this, we change the values of the angles θ_{2i} in the interval $\left[-\frac{\pi}{2}, 0\right]$

with a step $\frac{\pi}{18}$ in three cycles and draw the workspace (Fig. 6).

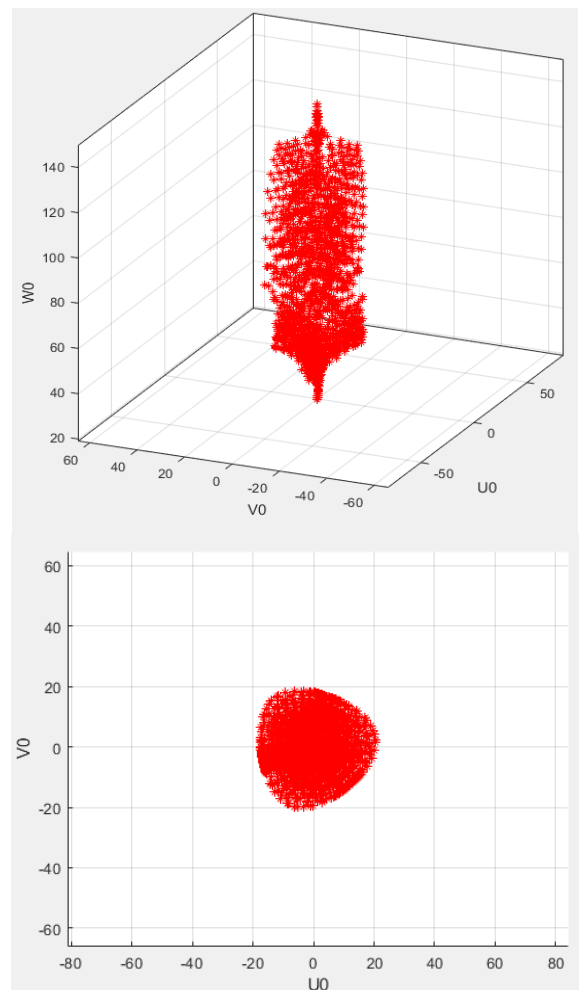


Fig.6. Workspace by direct kinematics

III. CONCLUSIONS

The workspace of a 3-PRRS type parallel manipulator is defined, in this paper. It is shown, that three legs of the parallel manipulator move in circles, and the center of the moving platform moves in three spheres relative to the centers of the spherical kinematic pairs. The total reachable area of the three spheres is the workspace of the considered parallel manipulator. The numerical results of the 3-PRRS type parallel manipulator's workspace analysis are obtained.

ACKNOWLEDGMENT

This work is supported by the grant «2018/AP05135493 - Structural-parametric synthesis of operating mechanisms of machines and manipulators» (2018-2020) of the Ministry of Education and Science Kazakhstan.

REFERENCES

- [1] J-P. Merlet, *Parallel Robots*. Kluwer Academic Publishers, 2000.
- [2] K.H. Hunt. "Structural kinematic of in-parallel-actuated robot-arms", *ASME J. Mechanisms, Transmissions, and Automat. Des.*, vol. 105, pp. 705-711, 1983.
- [3] Xin-Jun Liu Jinsong Wang, *Parallel Kinematics: Type, Kinematics, and Optimal Design*. Springer Verlag Berlin Heidelberg, 2014.
- [4] Clearly C., Uebel M., "Jacobian Formulation for a Novel 6-DOF Parallel Manipulator", *IEEE International Conference on Robotics and Automation*, 1994, Vol. 3, pp. 2377-2382.
- [5] Tsai L.-W., Tahmasebi F., "Synthesis and Analysis of a New Class of Six-Degree-of-Freedom Parallel Manipulators", *Journal of Robotic Systems*, 1993, vol. 10, No. 5, pp. 561-580.
- [6] Alizade R.I., Tagiyev N.R., and Duffy J. A., "Forward and Reverse Displacement Analysis of a 6-DOF In-Parallel Manipulator", *Mechanism and Machine Theory*, 1994, vol. 29, No. 1, pp. 115-124.
- [7] Collins C.L. Long G.L., "The Singularity Analysis of an in-Parallel Hand Controller for Force-Reflected Teleoperation", *IEEE Transaction on Robotics and Automation*, 1995, Vol. 11, pp. 661-669.
- [8] Mimuzha N., Funabashi Y., "A New Analytical System Applying 6 DOF Parallel Link Manipulator For Evaluating Motion Sensation", *IEEE International Conference on Robotics and Automation*, 1995, pp. 227-333.
- [9] Ebert U., Gosselin C.M., "Kinematic Study of a New Type of Spatial Parallel Platform Mechanism", *ASME Design Engineering Technical Conference*, Atlanta, 13-16 September, 1998.
- [10] Byun Y.K., Cho H.S., "Analysis of a Novel 6-DOF 3-PPSP Parallel Manipulator", *The International Journal of Robotics Research*, Vol. 16, No. 6, December 1997, pp. 859-872.
- [11] Behi F., "Kinematic Analysis for a Six-Degree-of-Freedom 3-PRPS Parallel Mechanism", *IEEE Journal of Robotics and Automation*, 1988, Vol. 4, No. 5, pp. 561-565.
- [12] Khali D., Lee S-H, Tsai K-Y, Sandor G.N., "Manipulator Configurations Based on Rotary-Liner (R-L) Actuators and Their Direct and Inverse Kinematics", *Journal of Mechanisms, Transmissions, and Automation in Design*, 1988, Vol. 110, pp. 397-404.
- [13] Zhumadil Baigunchekov, Myrzabai Izmambetov., "Inverse Kinematics of Six - DOF Three – Limbed Parallel Manipulator", *Advances in Robot Design and Intelligent Control. Proceedings of the 25th Conference on Robotics in Aple-Adria-Danube Region (RAAD 2016)*, Springer, 2016, pp. 171-178.
- [14] Zh. Baigunchekov, M.A.Laribi, A. Mustafa, R.Kaiyrov, B.Amanov, A.Kassinov., "Geometry and inverse kinematics of 3- PRRS type parallel manipulator", *Springer Nature Switzerland AG 2020.K. Berns and D. Görge (Eds.): RAAD 2019, AISC 980*, pp. 12–18, 2020.
- [15] Zhumadil Zh. Baigunchekov, Rustem A. Kaiyrov., "Direct Kinematics of a 3-PRRS Type Parallel Manipulator", *2020 6th International Conference on Mechanical Design and Engineering (6th ICMDE)*, February 16-18, 2020, Sanya, China (presented).
- [16] M.A. Laribi, L. Romdhane, S. Zeghloul., "Analysis and dimensional synthesis of the DELTA robot for a prescribed workspace", *Mechanism and Machine Theory* 42 (2007) 859–870.



Zhumadil Baigunchekov was born 08.07.1947 , Director of Scientific and Educational Centre " Digital Technologies and Robotics " at Al-Farabi Kazakh National University, Professor at Satbayev University, Doctor of Technical Sciences, Academician of the National Academy of Sciences and National Engineering Academy of Kazakhstan. Research fields on Theory of Machines and Mechanisms, Mechatronics and Robotics, Member of the IFToMM Technical Committee "Robotics and Mechatronics".



Rustem Kaiyrov was born 19.12.1985, Master of mechanics. Second-year doctoral student at Al-Farabi Kazakh National University. Research fields on Theory of Machines and Mechanisms, Mechatronics and Robotics.